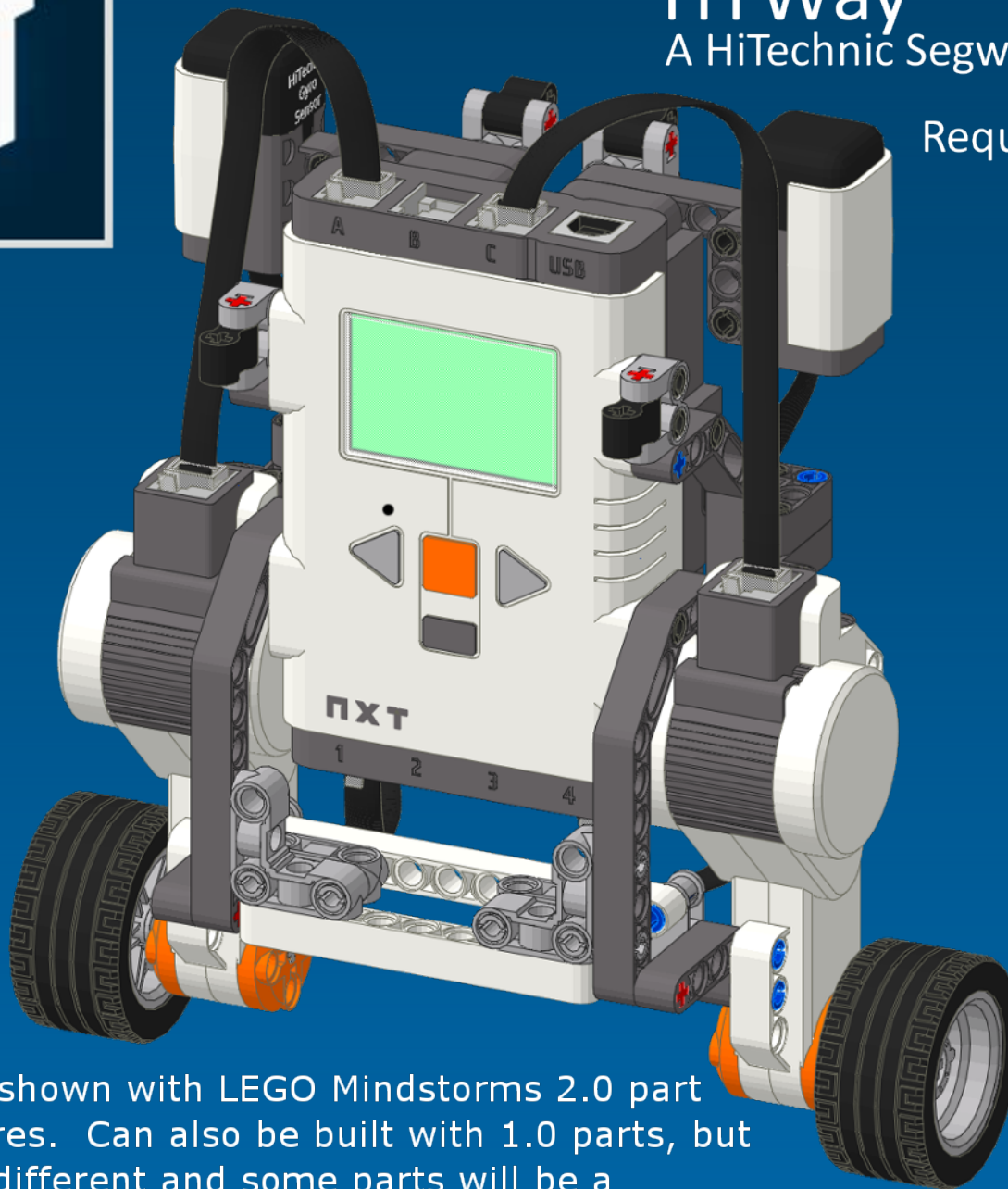




# HTWay

A HiTechnic Segway type balancing robot



Requires:

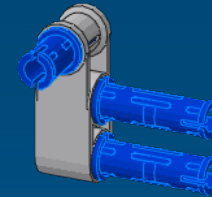
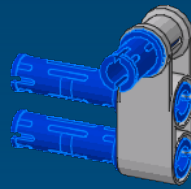
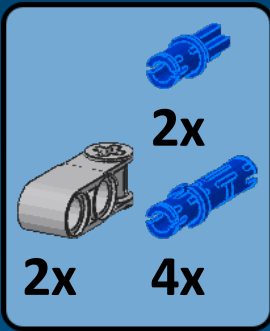
- HiTechnic Gyro Sensor
- HiTechnic IR Receiver
- LEGO Mindstorms NXT  
1.0 or 2.0 Set
- LEGO PF Remote

Note: Model shown with LEGO Mindstorms 2.0 part colors and tires. Can also be built with 1.0 parts, but tires will be different and some parts will be a different color.

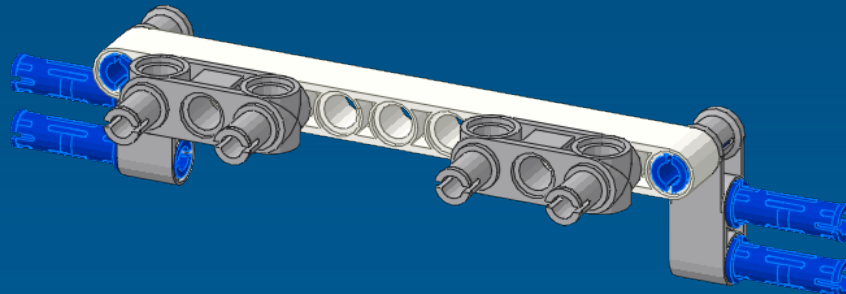
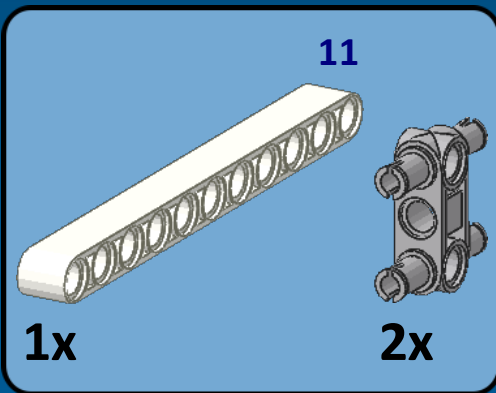
Version 1.0 - May 2010



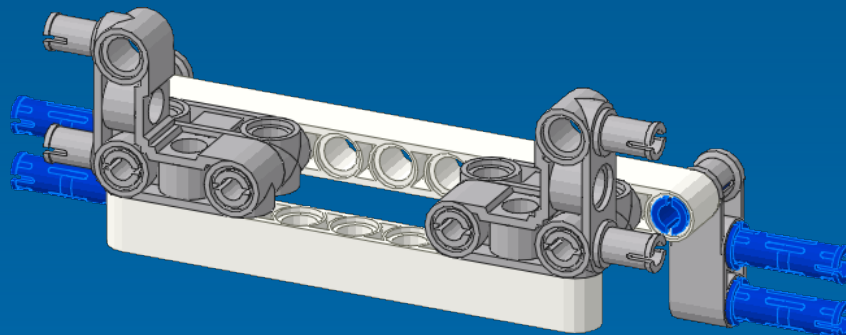
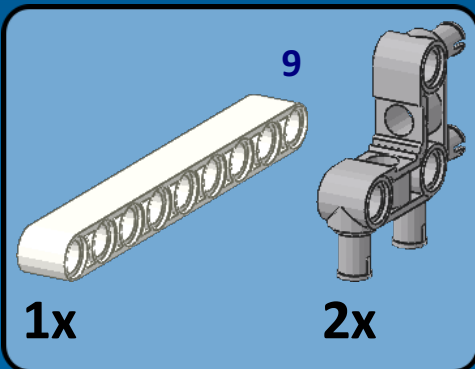
1



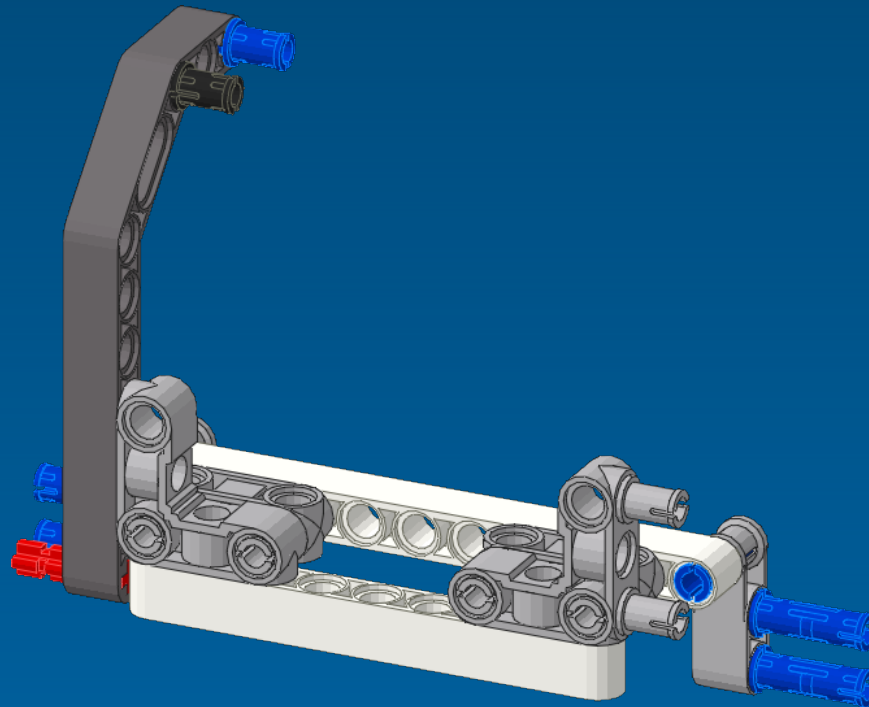
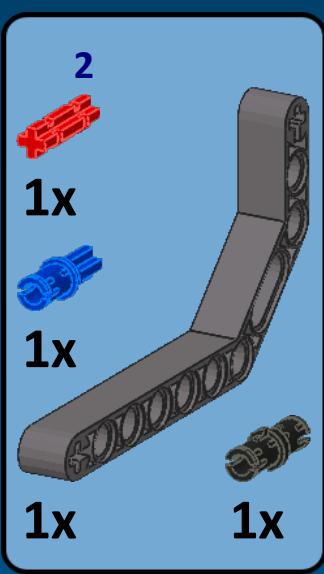
2



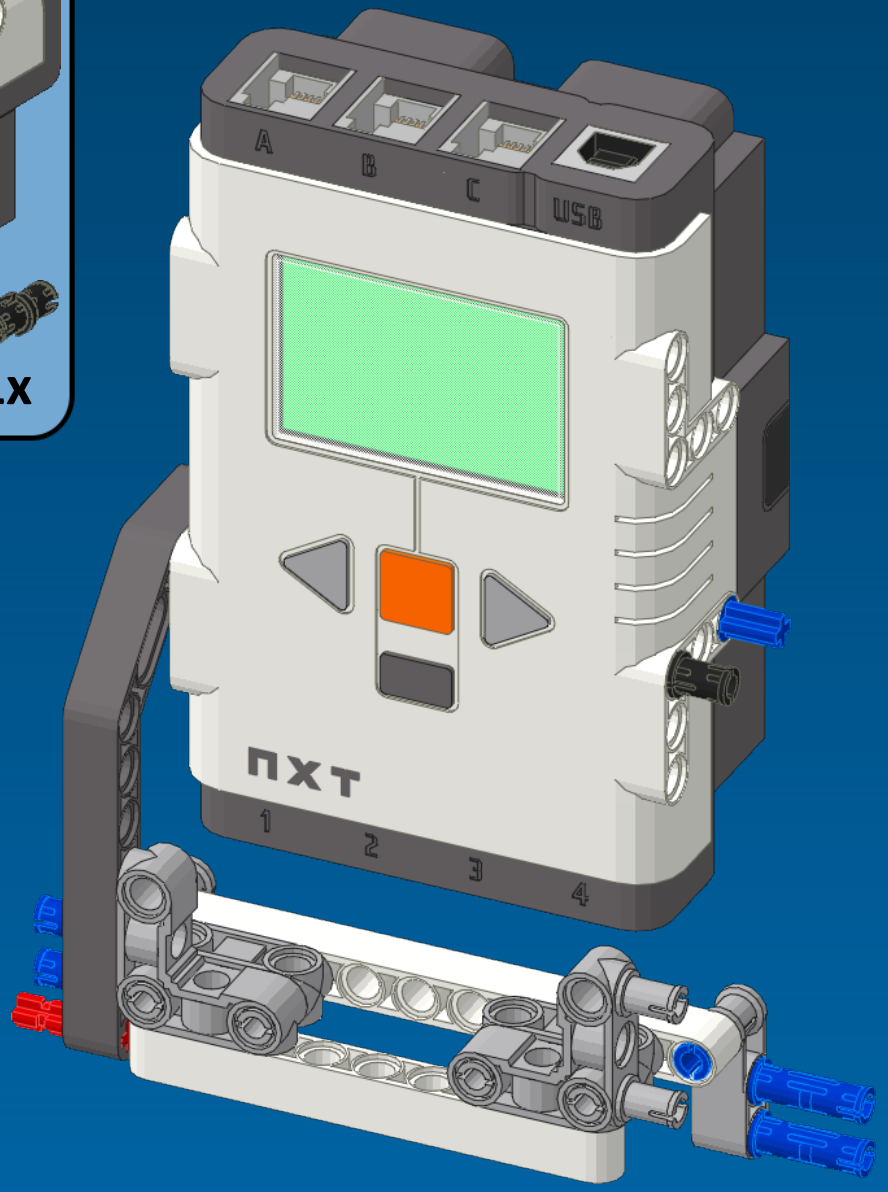
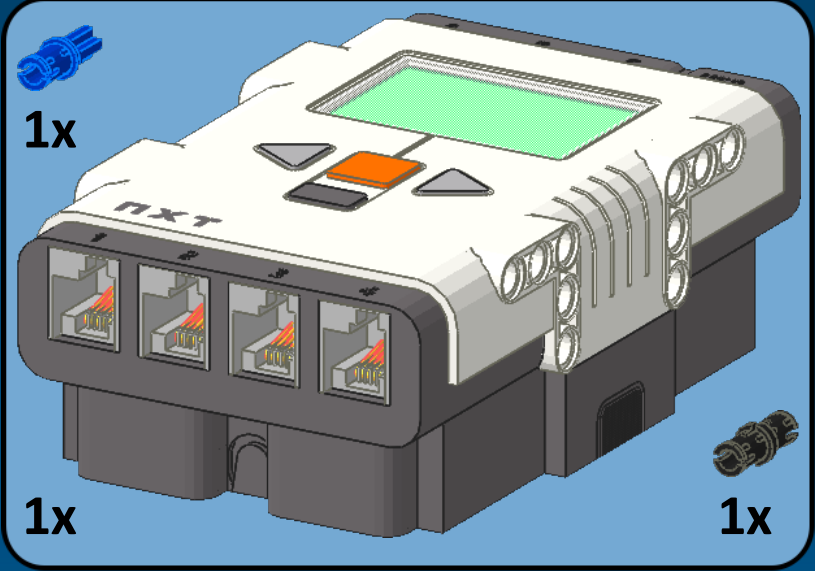
3



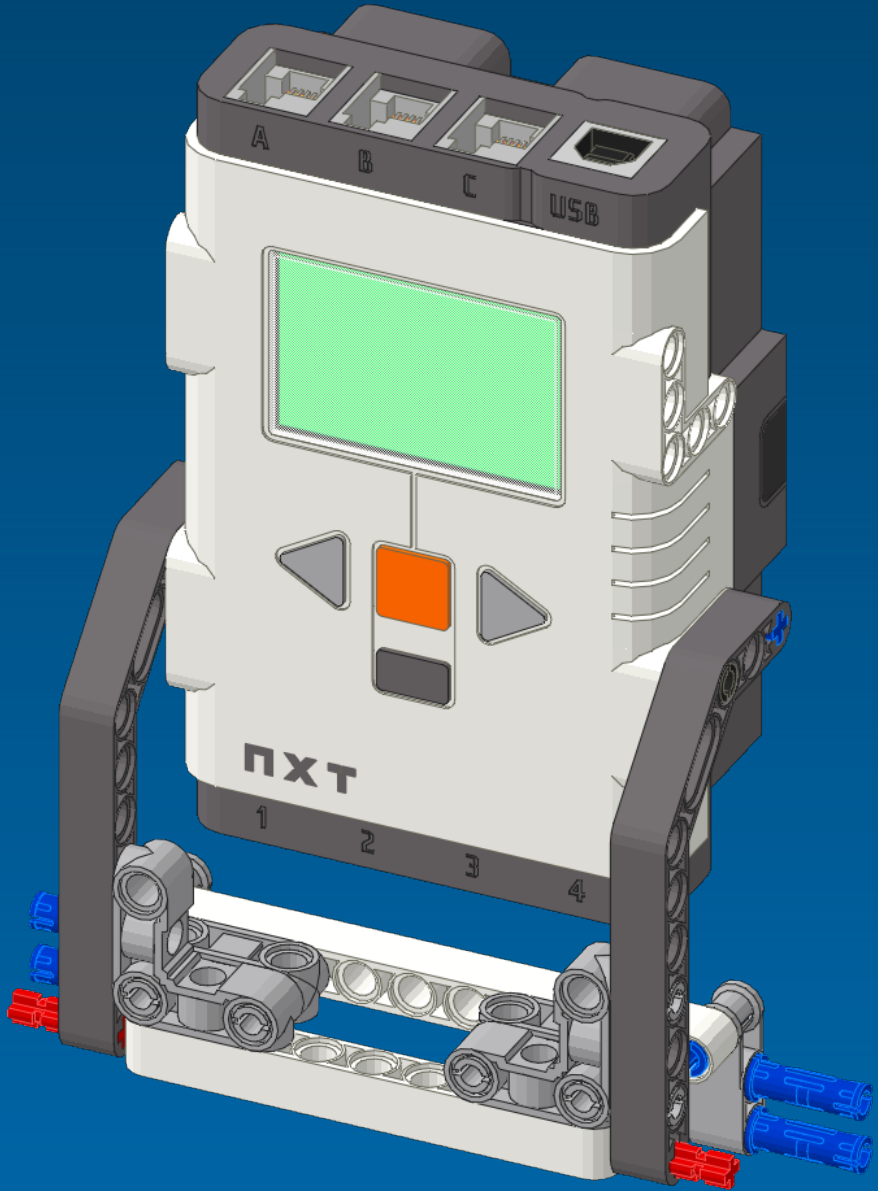
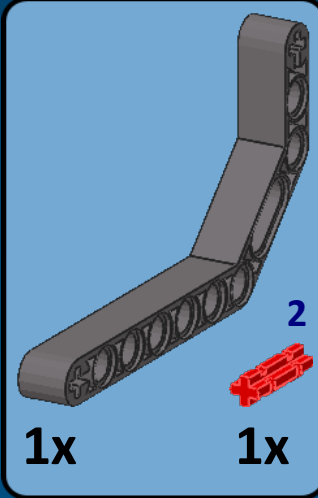
4



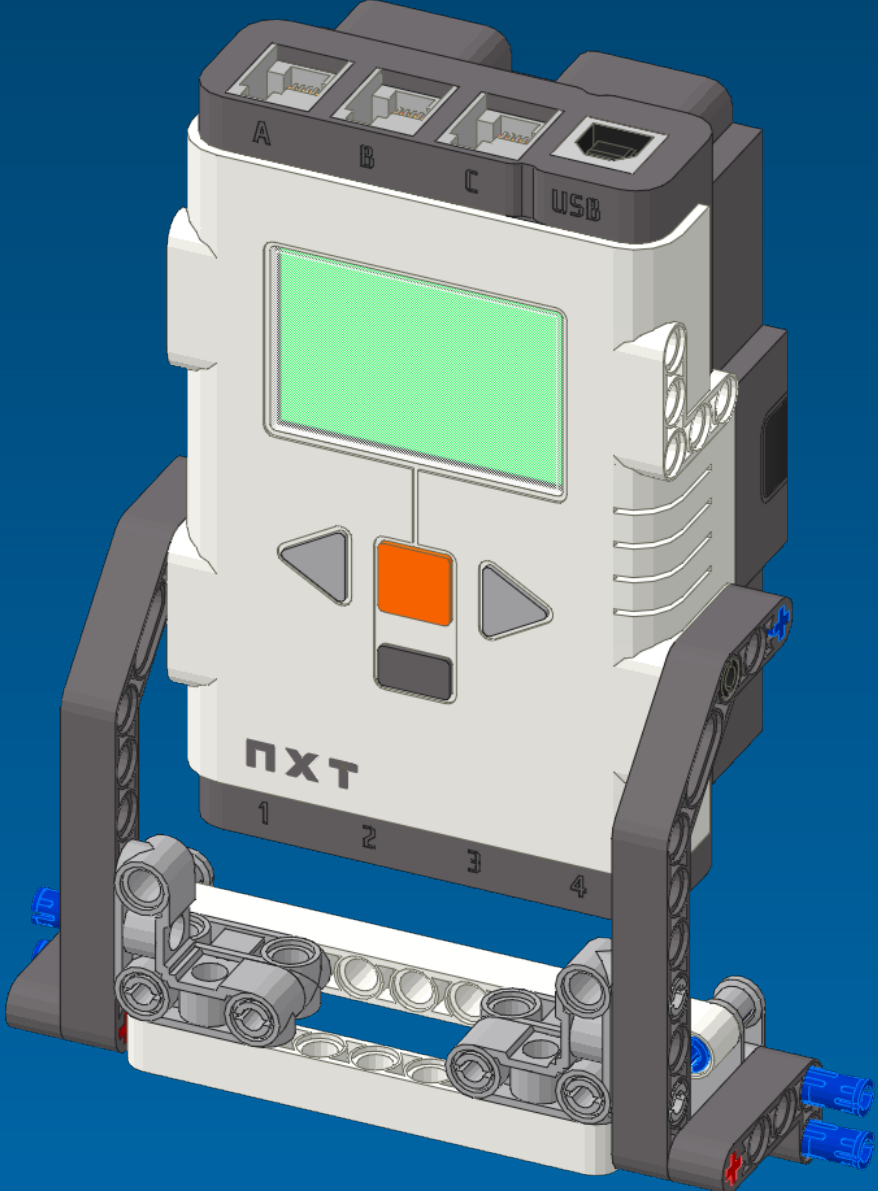
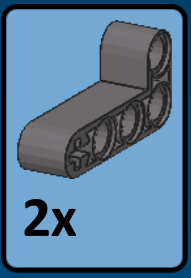
5



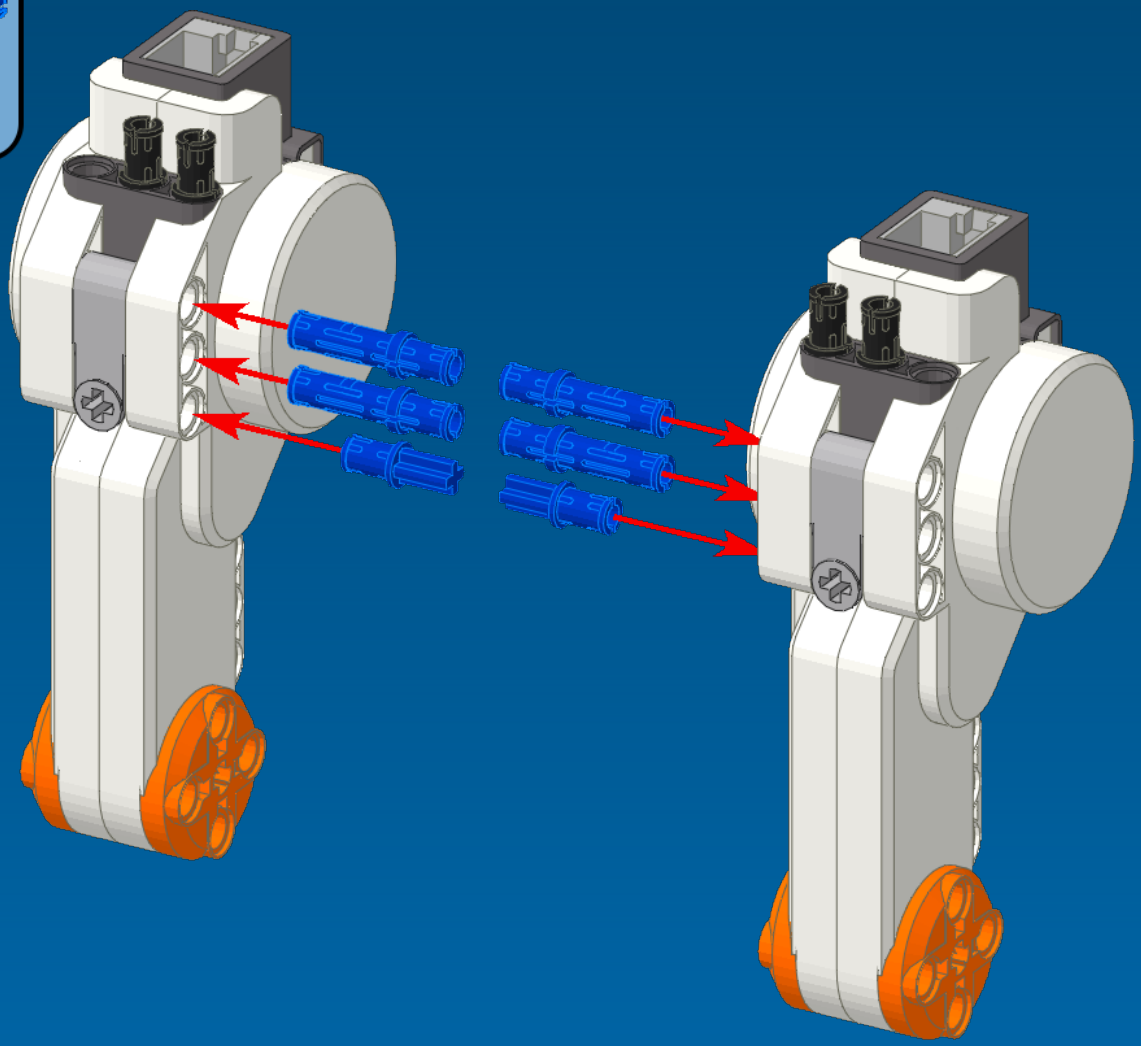
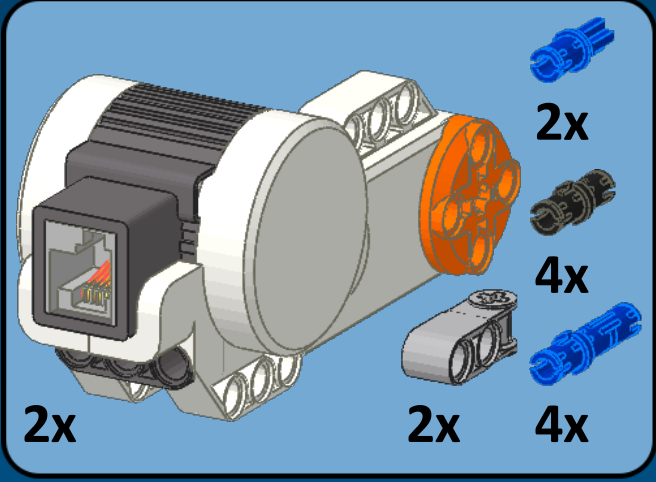
6



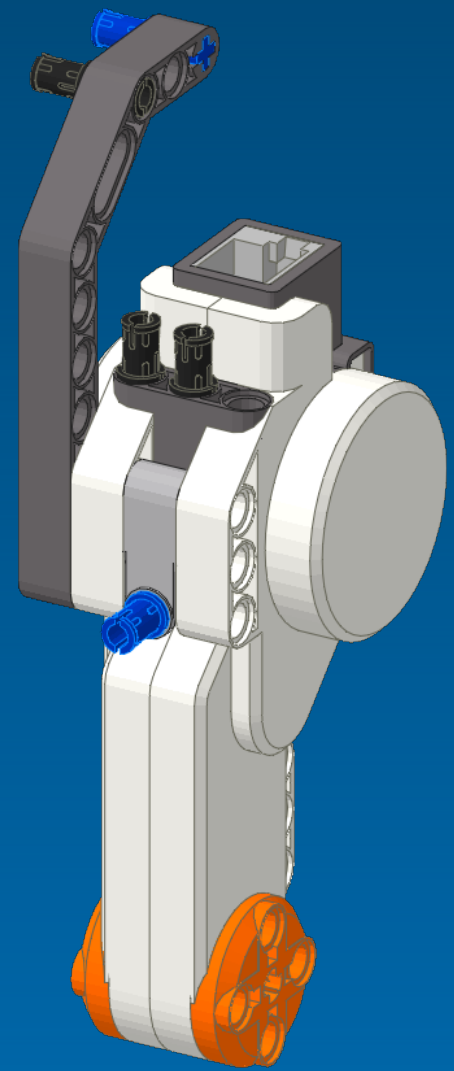
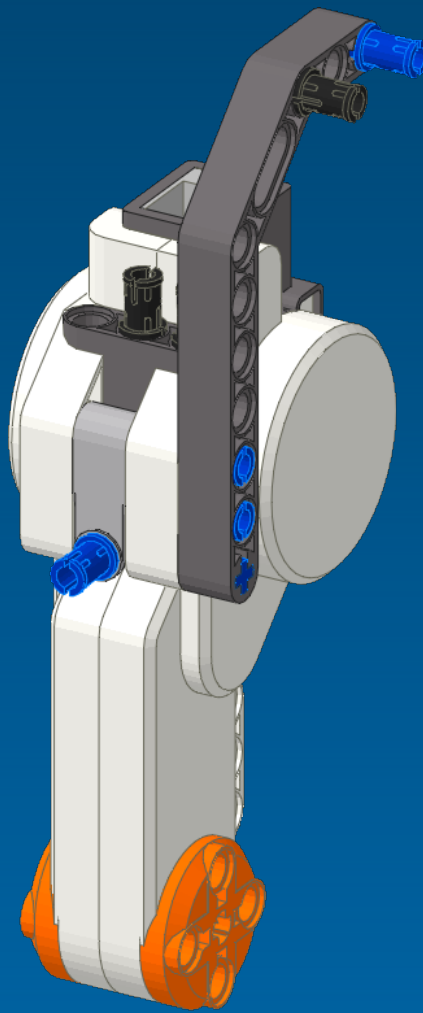
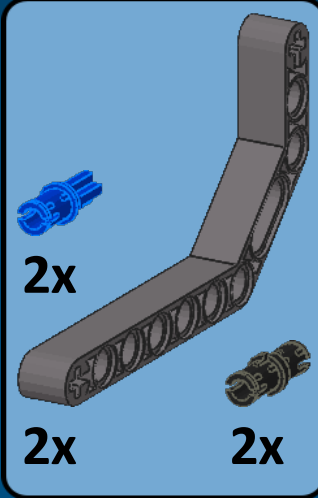
7



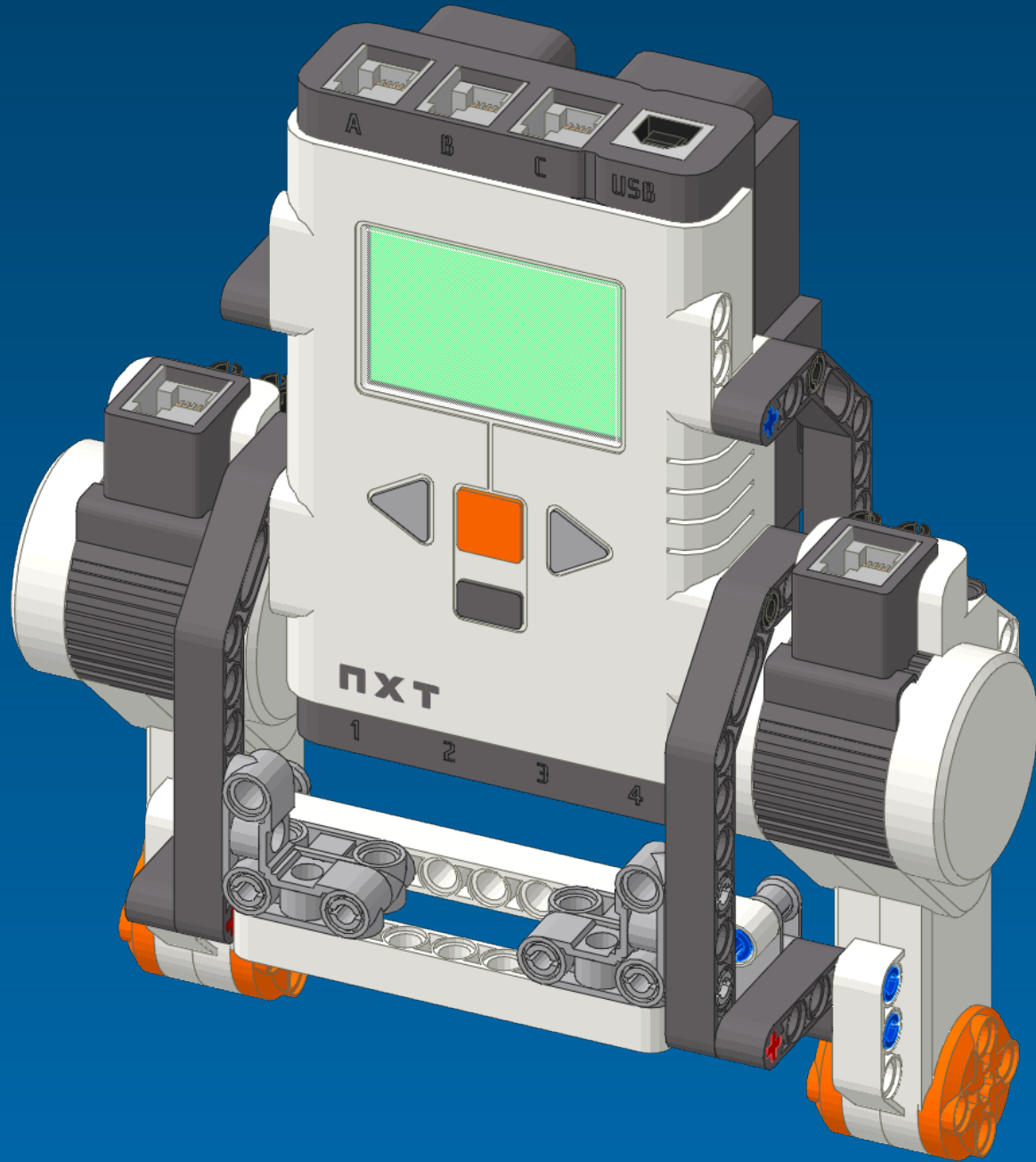
1





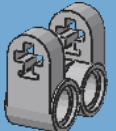


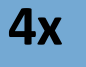
2

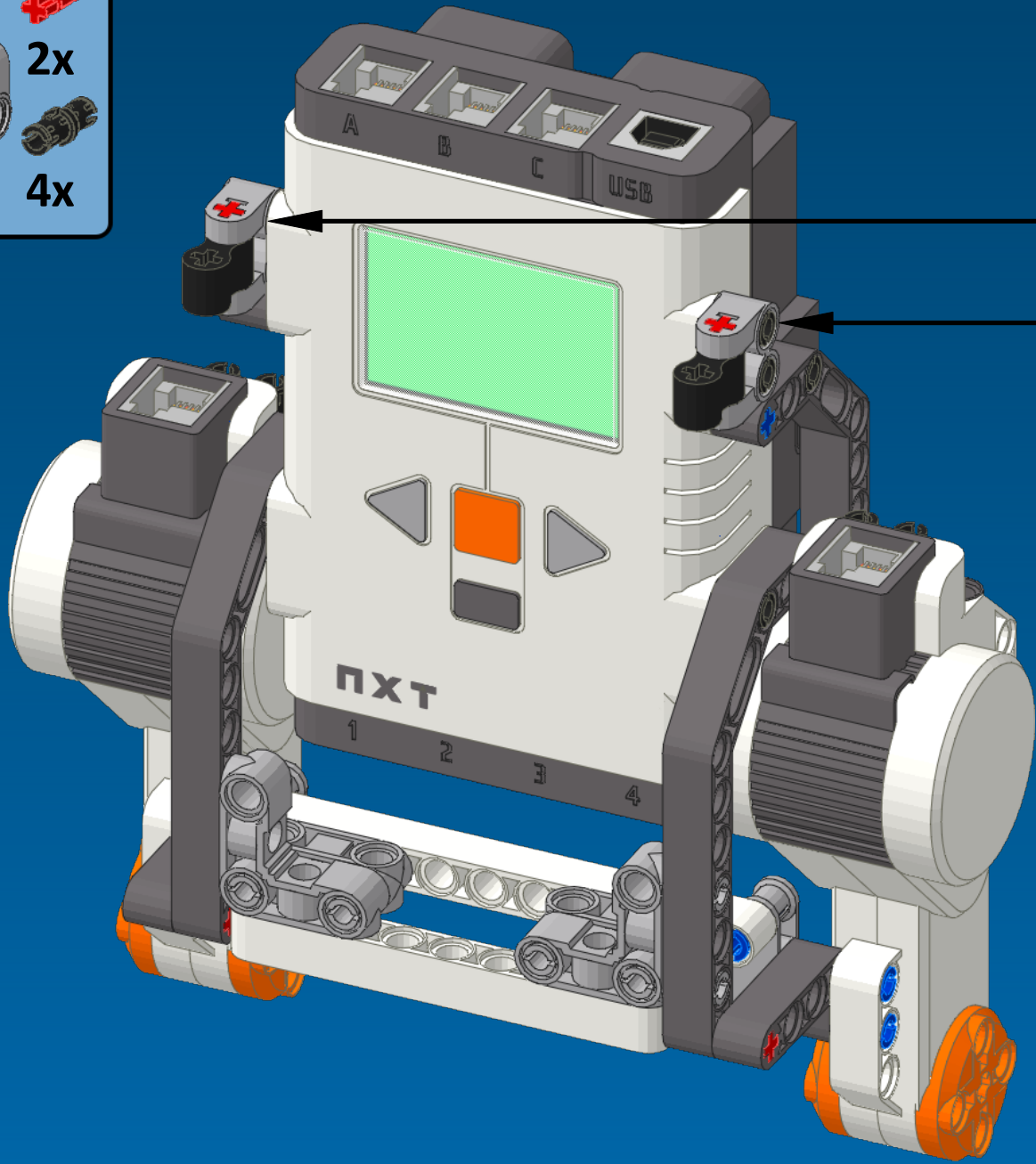


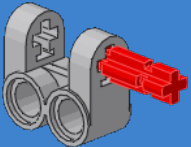
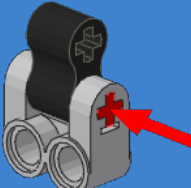
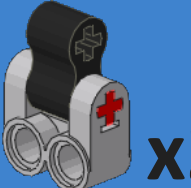




9

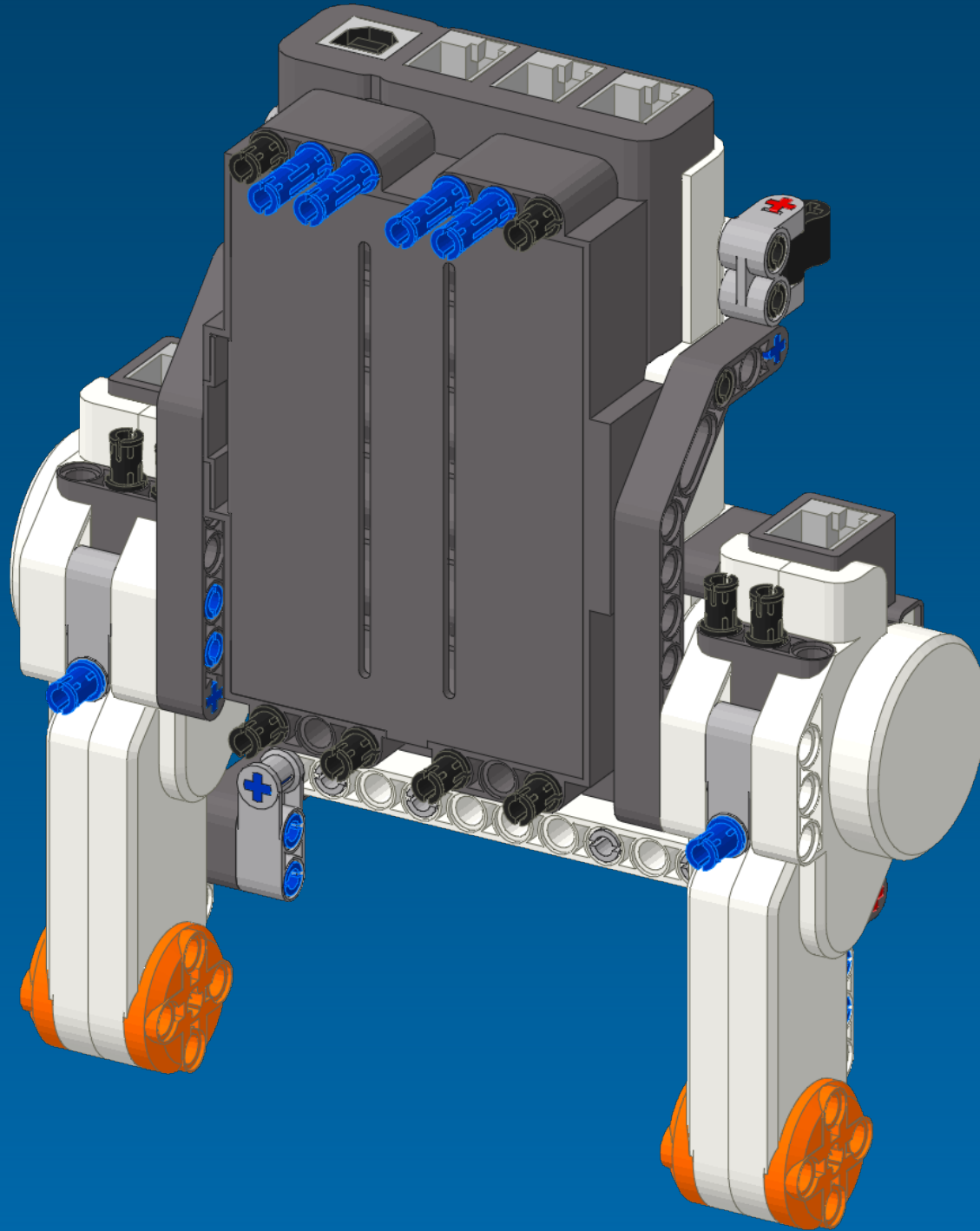
- 2x  2
-  2x
-  2x
-  2x
-  2x
-  4x



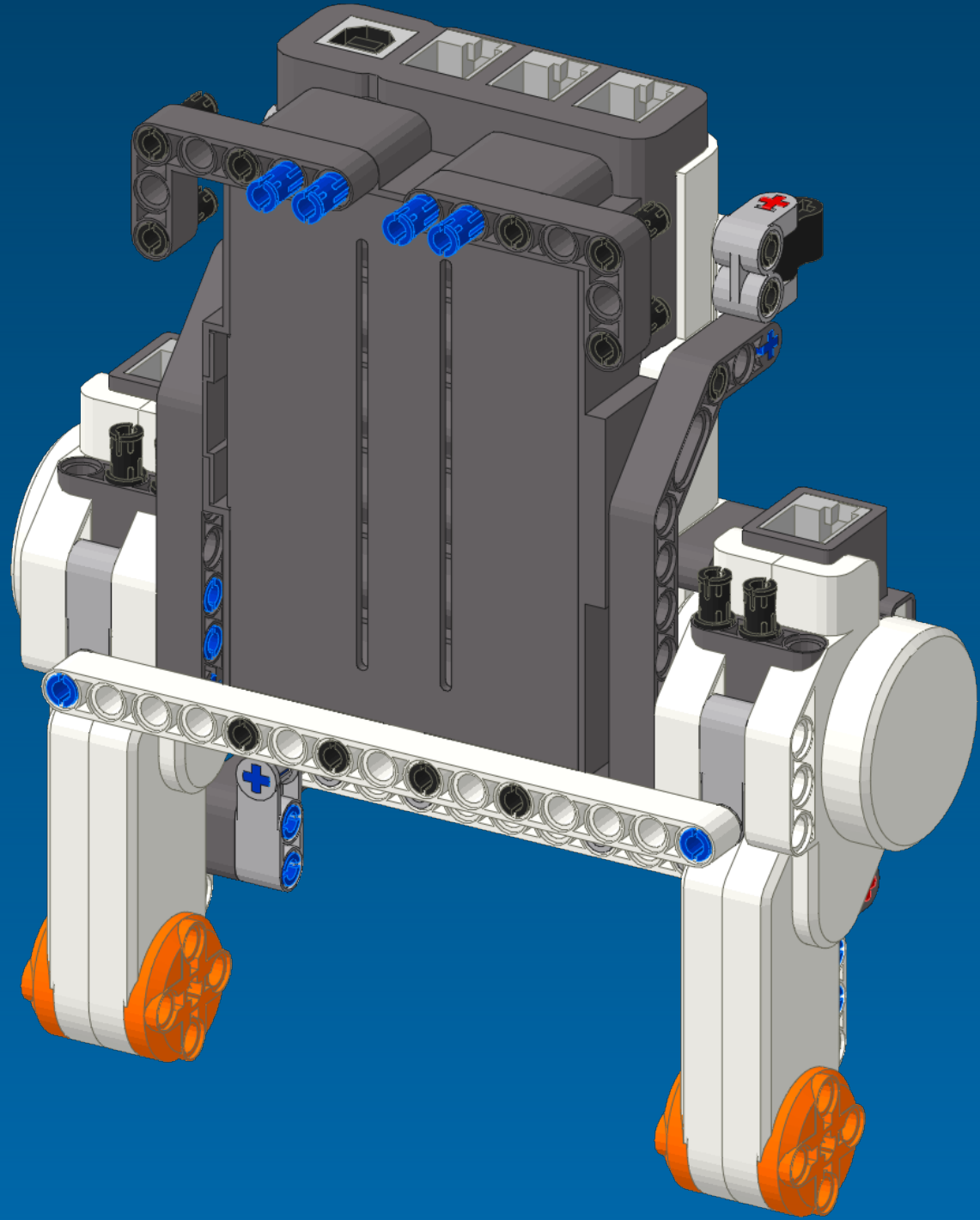
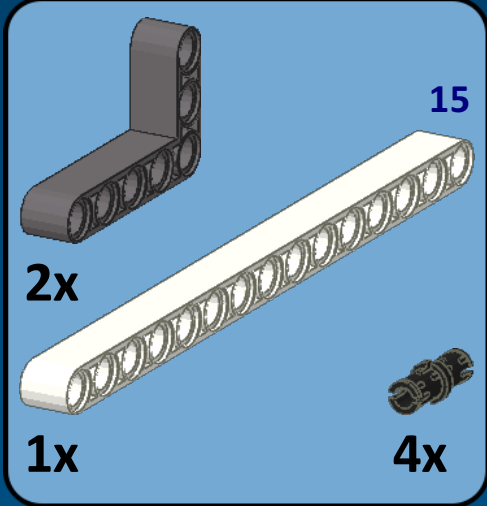
- 
- 
-  x2

# 10

-  6x
-  4x

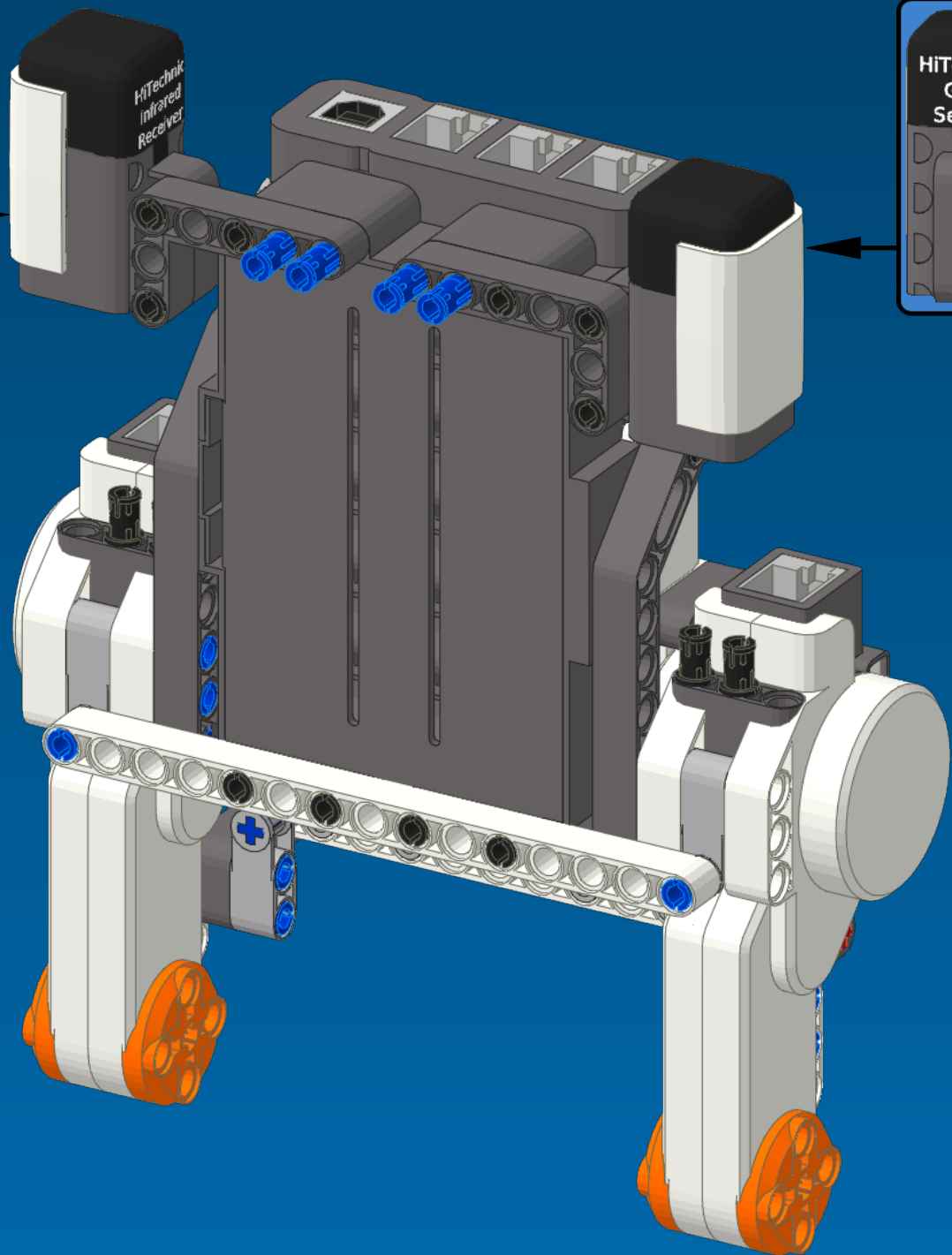


# 11



12

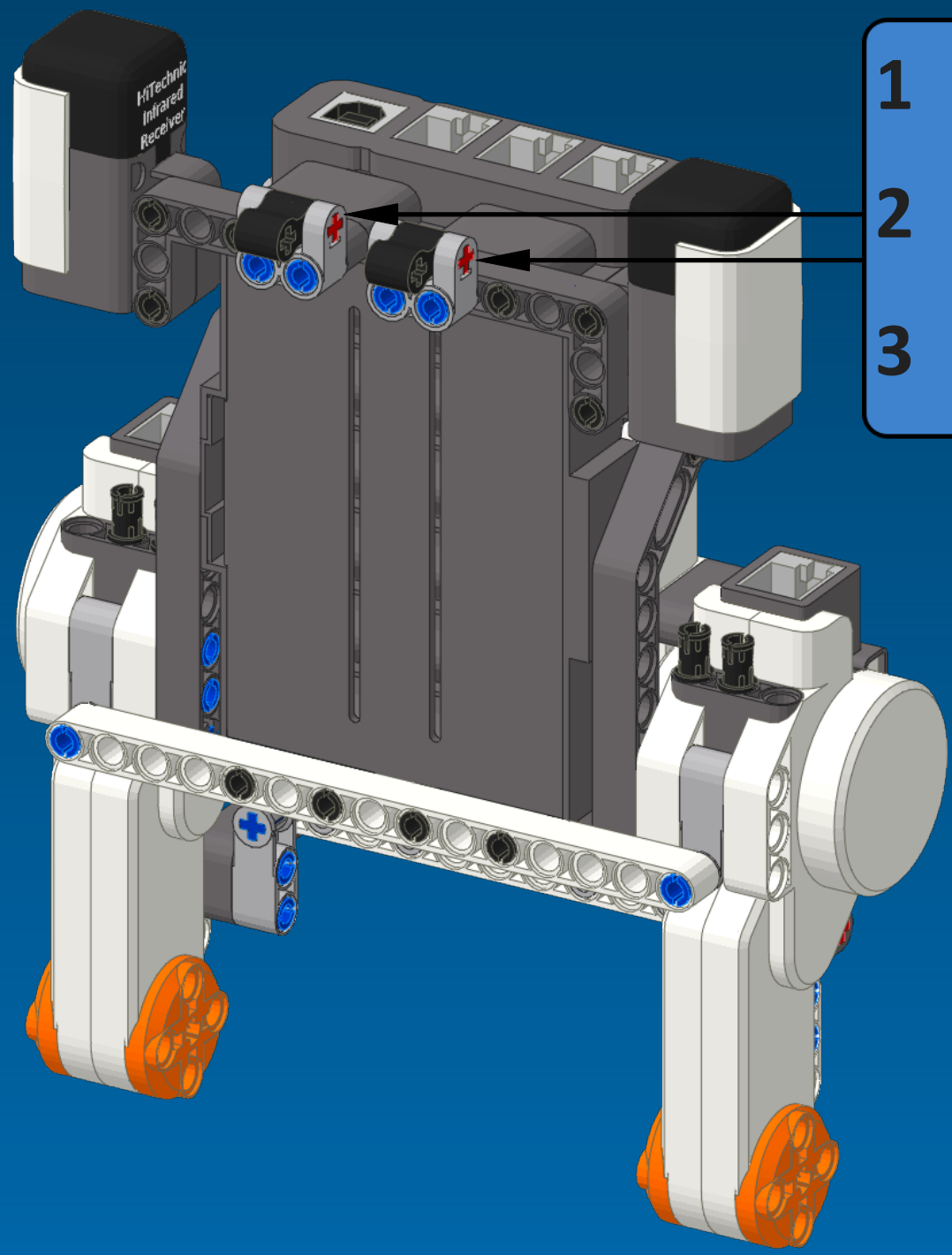
- HiTechnic Infrared Receiver  
1x
- HiTechnic Gyro Sensor  
1x



# 13

2x

2x 2x

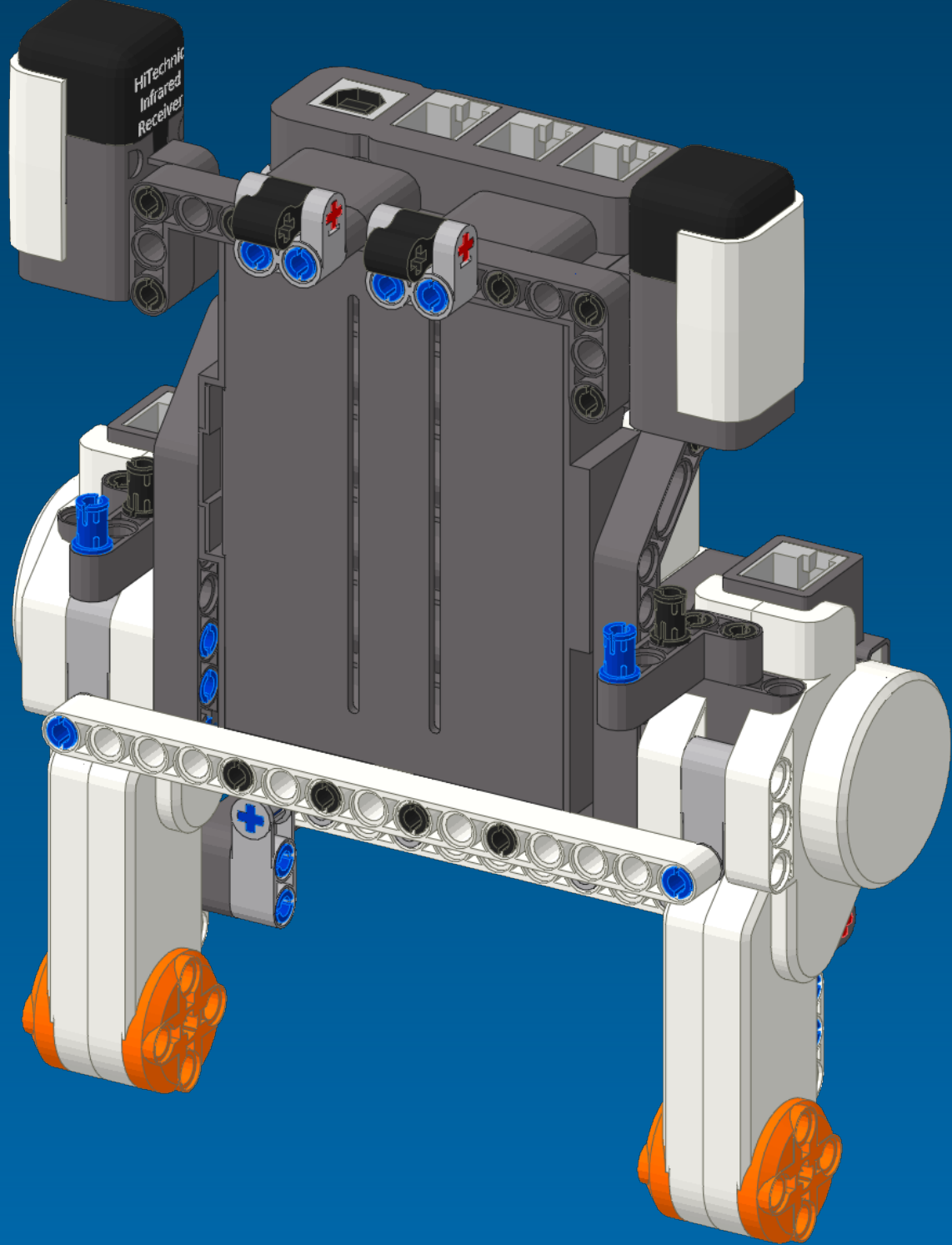
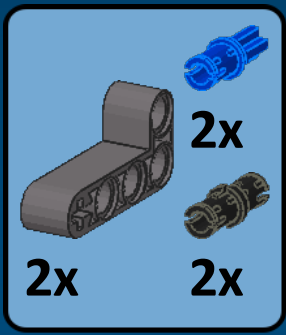


1

2

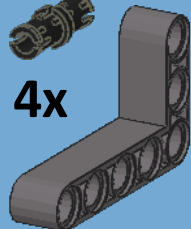
3 x2

14

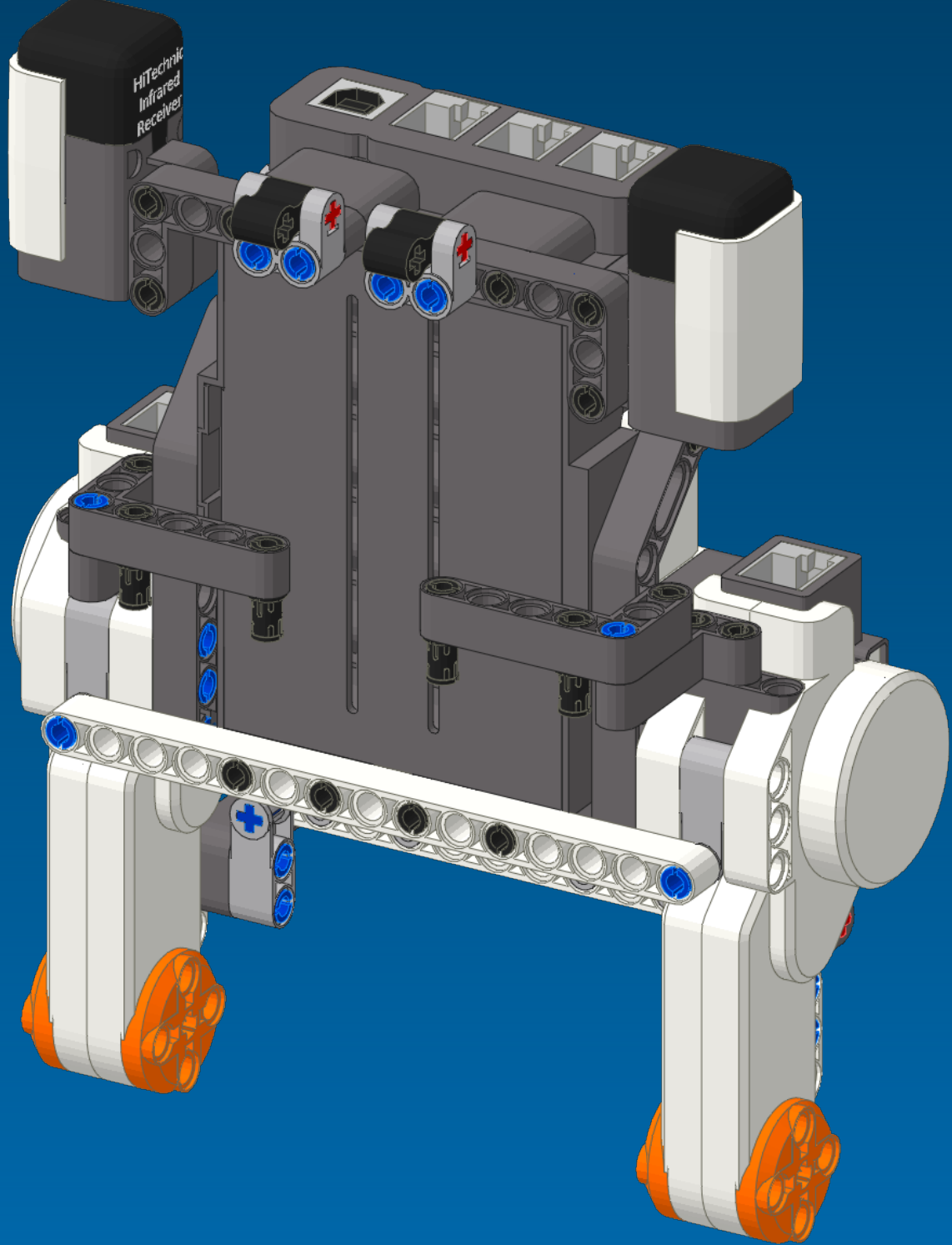



15

4x

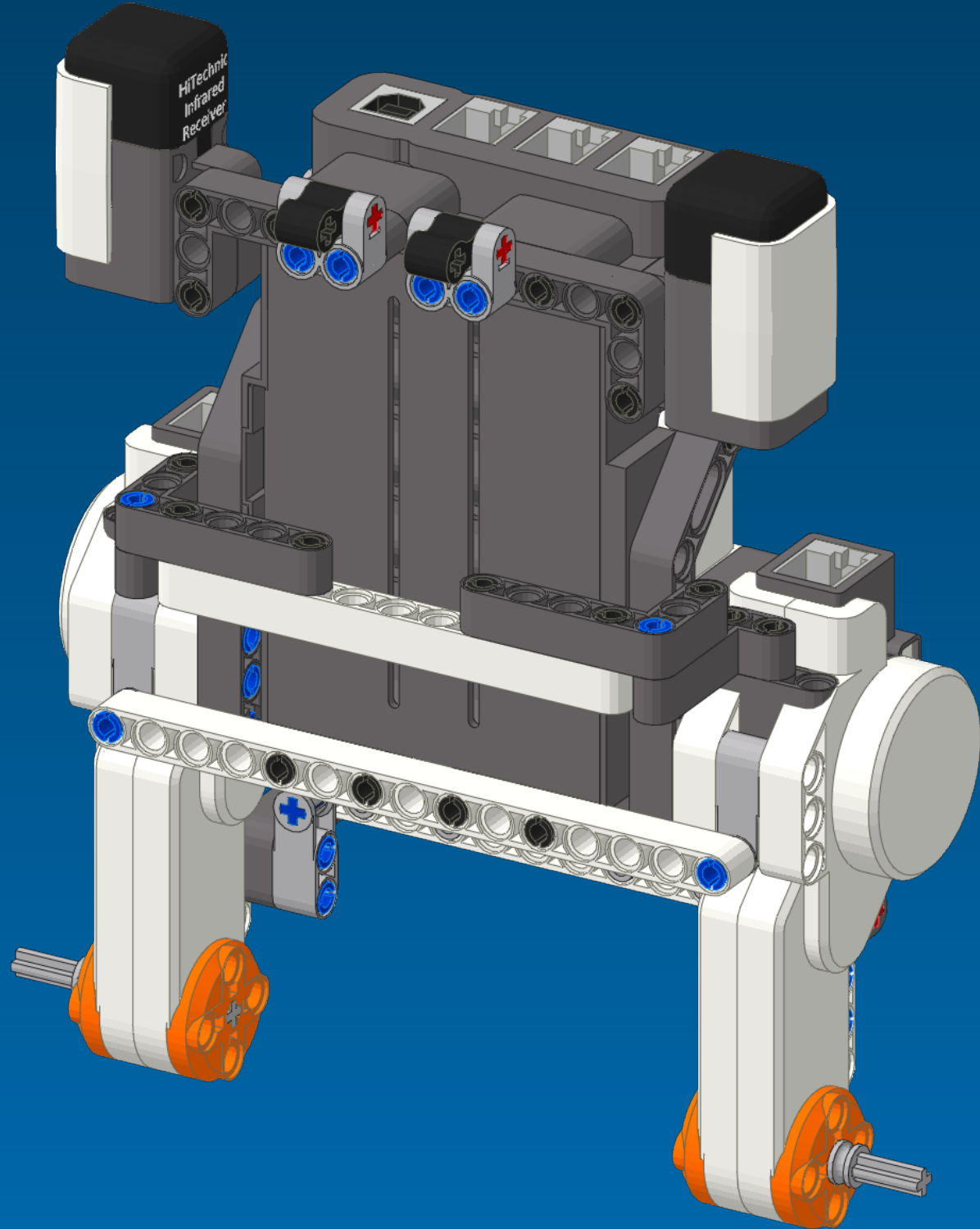
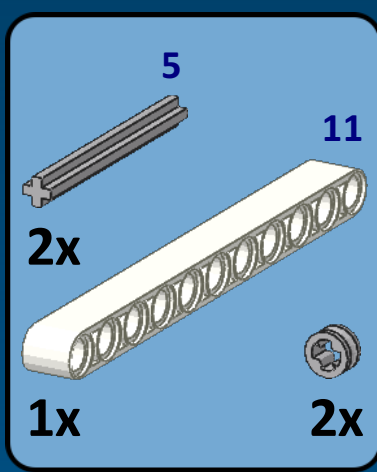


2x

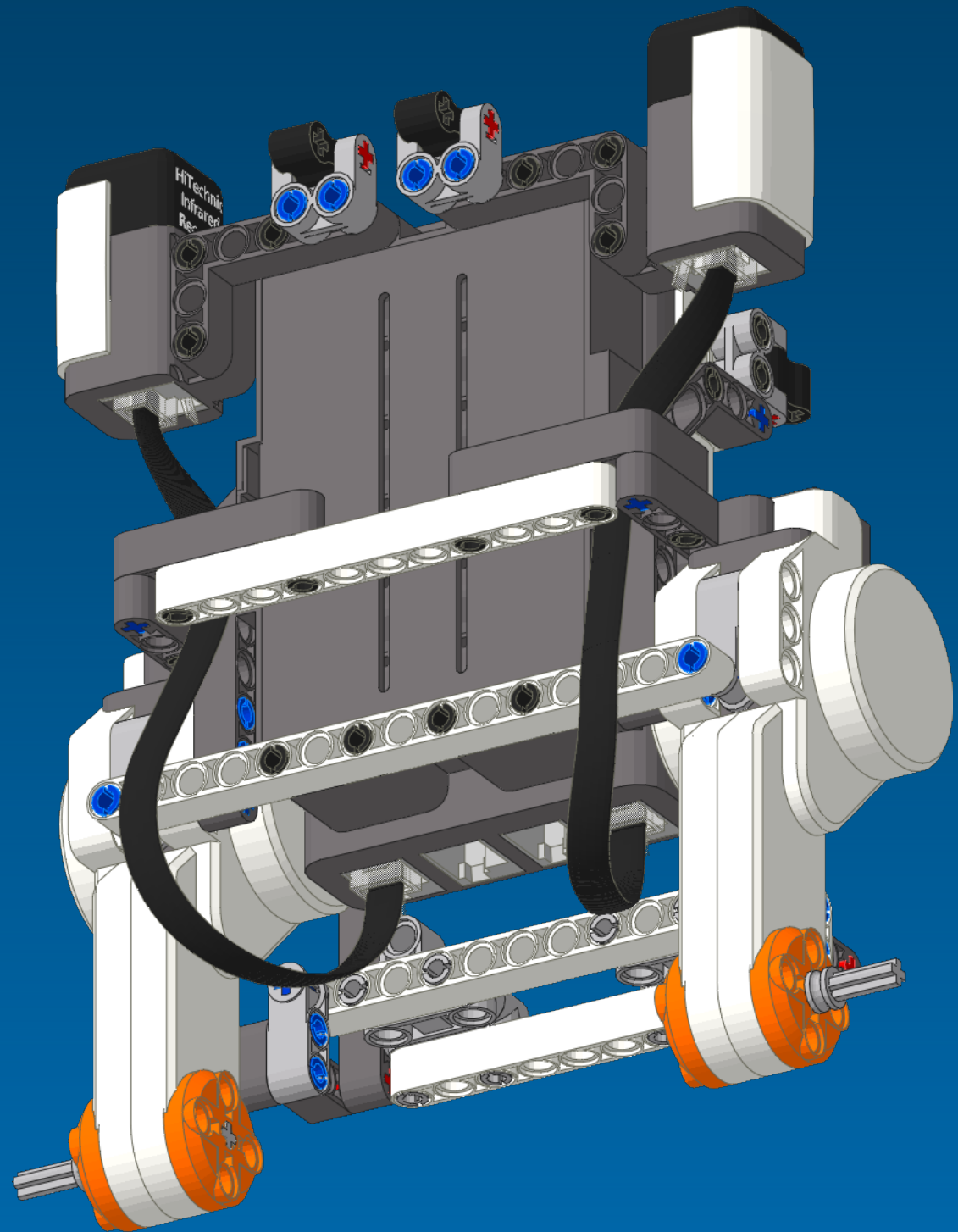
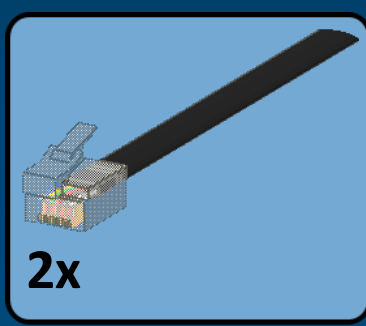




# 16



17



18

